



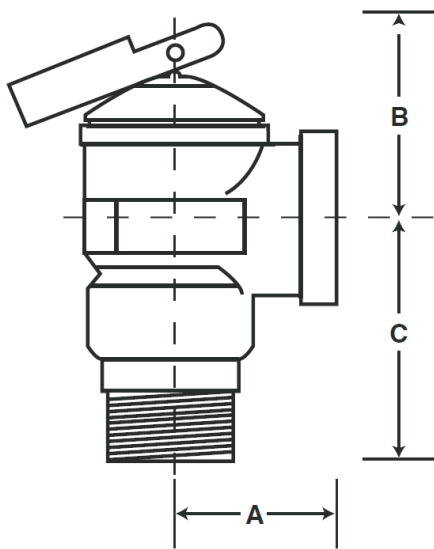
DESCRIPTION

The EVOPRV is a pressure relief valve designed specifically for the protection of hot water supply systems where over pressure is possible due to thermal expansion. Completely automatic, the EVOPRV reseats after any pressure relief. It has a compact economical design with a 3/4" female outlet and 3/4" male inlet. Factory setting of 75 psi.

FEATURES

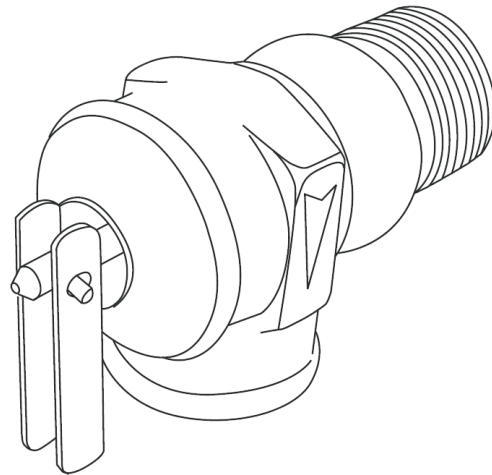
- Body: Bronze
- Internal Parts: Brass and stainless steel
- Seat Disc: Silicone
- Pressure Spring: Stainless steel
- Threaded (NPT): Male inlet and female outlet
- Set Pressure: 75 psi
- Service: Water

DIMENSIONS IN INCHES



APPROVALS

- ANSI Z21.22
- CSA 4.4 (3/4" size rated at 200,000 btu/hr)



Dimensions	A	B	C
3/4"	1-1/4"	1-9/16"	1-13/16"

ARCHITECT/ENGINEER

JOB: _____

ENGINEER: _____

REP: _____

CONTRACTOR: _____